

B COLLECTION

CATÁLOGO DE PUERTAS

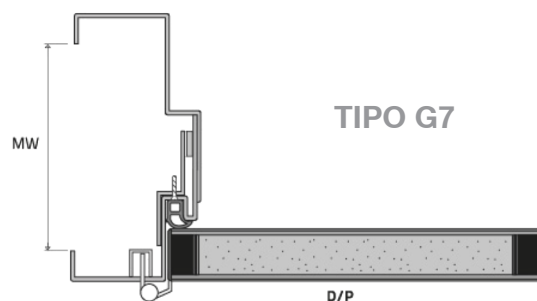
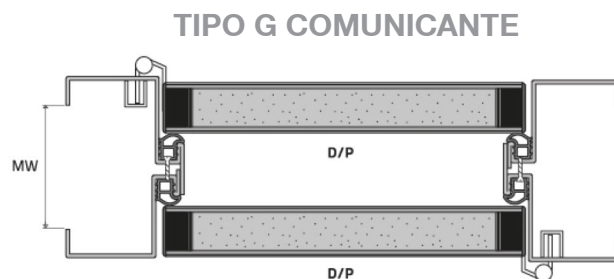
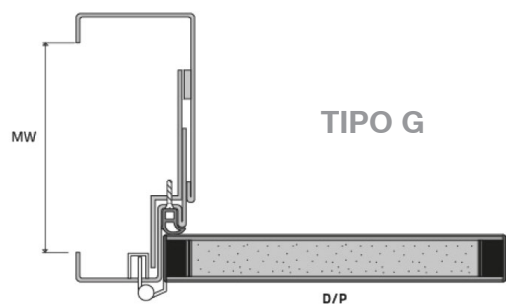


ÍNDICE

PUERTAS DE ENTRADA A HABITACIONES	4
PUERTAS ZONAS COMUNES Y BAÑO	6
COMPLEMENTOS Y HERRAJES:	
CERRADURAS	8
MANIJAS	9
CILINDRO	10
BARRAS	11
CIERRAPUERTAS	12
CIERRAPUERTAS AUTOMÁTICOS	13
BISAGRAS	14
PROTECTORES PARA CERRADURA	15
OJO DE BUEY Y VIDRIERAS	15
MIRILLAS RF	15
REJILLA DE VENTILACIÓN	16
GUILLOTINA INFERIOR ACÚSTICA	16
UMBRAL	16
PLANCHAS DE PROTECCIÓN	16
CANTO PROTECCIÓN INOXIDABLE O ALUMINIO CONTRA IMPACTO	16
RODAPIÉS	17
PROTECTOR DE PARED	17
SISTEMA CUBREPREMARCOS	17
REDUCTOR DE 3.5 PARA CERCO DE ALUMINIO	17
PROTECTORES PARED	17
ANEXO DE CERTIFICACIÓN UL	18

PUERTAS DE ENTRADA A HABITACIONES

TIPOS DE PERFILES APLICABLES



ACABADO DE MARCOS

Marcos metálicos con laca al horno acabado mate y texturizado.

Disponibles en todos los colores de la gama RAL.



ESPECIFICACIONES

Marco telescópico de 2 piezas para muros de tablaroca y ladrillo. Muro final desde 8 cm hasta 24 cm.

Material: Acero galvanizado 1.5 mm de espesor y acero inoxidable de 1.2 mm

Bisagras de acero inoxidable de alta resistencia (200,000 aperturas).

Herrajes: Todos.



**Imagen solo ilustrativa, el producto comprado puede variar.

ACABADOS DE PUERTAS

Los siguientes acabados están disponibles en **melamina, laminado plástico y chapa natural**.
Espesor de puertas desde 35, 40, 45, 50 mm.



Pino



Wengué



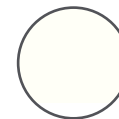
Cerezo



Roble



Castaño



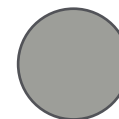
Blanco



Nogal



Haya



Gris

VENTAJAS

- ✓ Gran durabilidad.
- ✓ Resistencia a golpes.
- ✓ Fácil instalación en obra nueva o remodelación.
- ✓ Sistema de montaje ajustable **Knock-Down** que facilita la colocación después de levantar muros.



**Imágen solo ilustrativa, el producto comprado puede variar.

CERTIFICADOS



Normativa Ei
(Resistente al fuego)

Ei 30
Ei 45
Ei 60



Normativa acústica

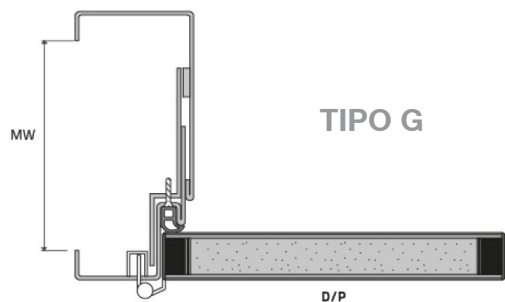
30 dB
32 dB
42 dB

LABORATORIOS DE PRUEBAS

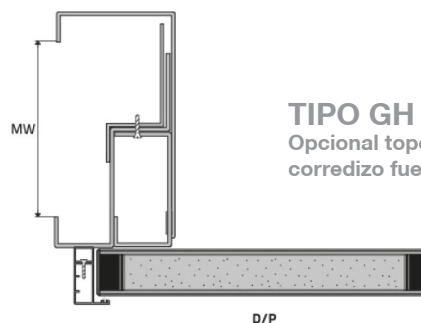


PUERTAS ZONAS COMUNES Y BAÑO

TIPOS DE PERFILES APLICABLES

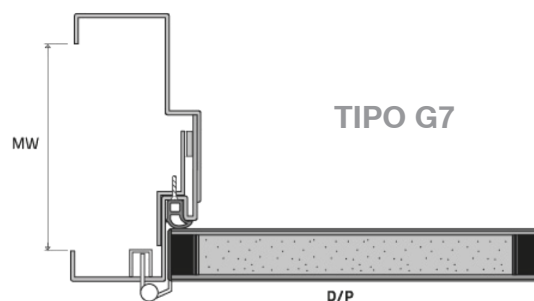


TIPO G



TIPO GH

Opcional tope de cierre
corredizo fuera de muro.

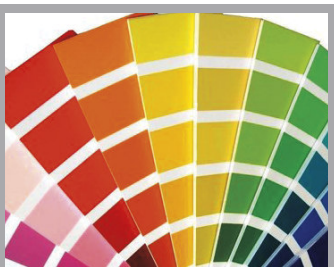


TIPO G7

ACABADO DE MARCOS

Marcos metálicos con laca al horno acabado mate y texturizado.

Disponibles en todos los colores de la gama RAL.



ESPECIFICACIONES

Marco telescópico de 2 piezas para muros de tablaroca y ladrillo. Muro final desde 8 cm hasta 24 cm. Especial para zonas comunes como: baños comunes, oficinas, spas, almacenes, zonas lúdicas, guarderías, etc.

Material: Acero galvanizado 1.5 mm de espesor y acero inoxidable de 1.2 mm

Bisagras de acero inoxidable de alta resistencia (200,000 aperturas).

Herrajes: Todos.



**Imagen solo ilustrativa, el producto comprado puede variar.

ACABADOS DE PUERTAS

Los siguientes acabados están disponibles en **melamina, laminado plástico y chapa natural**. Espesor de puertas desde 35, 40, 45, 50 mm. También disponible **puerta de cristal** solo en perfiles G y GH.



Pino



Wengué



Cerezo



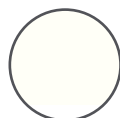
Cristal



Roble



Castaño



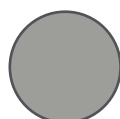
Blanco



Nogal



Haya



Gris



VENTAJAS

- ✓ Gran durabilidad.
- ✓ Resistencia a golpes y a la humedad.
- ✓ Fácil instalación en obra nueva o remodelación.
- ✓ Sistema de montaje ajustable **Knock-Down** que facilita la colocación después de levantar muros.



CERTIFICADOS



Normativa Ei
(Resistente al fuego)

Ei 30
Ei 45
Ei 60



Resistente a
golpes



Anti-humedad

LABORATORIOS DE PRUEBAS

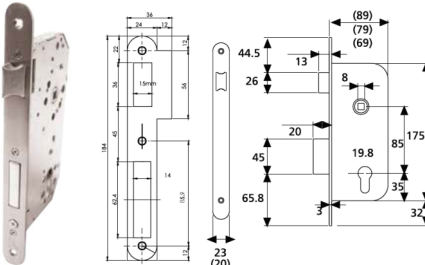


**Imágen solo ilustrativa, el producto comprado puede variar.

COMPLEMENTOS Y HERRAJES

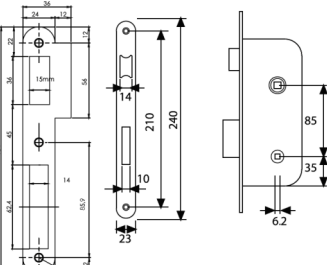
CERRADURAS

SERIE 4030 - CERRADURA NORMALIZADA ALTO TRÁNSITO



4030. Entrada

Funcionamiento:
El cilindro acciona la palanca (2 vueltas) y el picaporte. El pestillo acciona el picaporte.



4034. Seguro

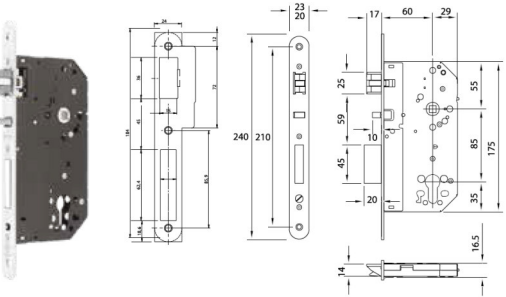
Funcionamiento:
El seguro de pulgar acciona la palanca (1 vuelta). El pestillo acciona el picaporte.



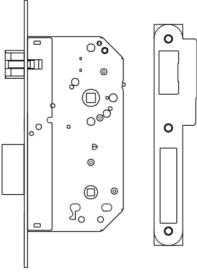
4038. Pico de loro para puerta corrediza.

Entradas: 60 mm
Gancho accionable con cilindro.
Mismo cajeadado que el modelo 4030.

SERIE 2UBOF (CILINDRO) - CERRADURA MUY ALTO TRÁNSITO



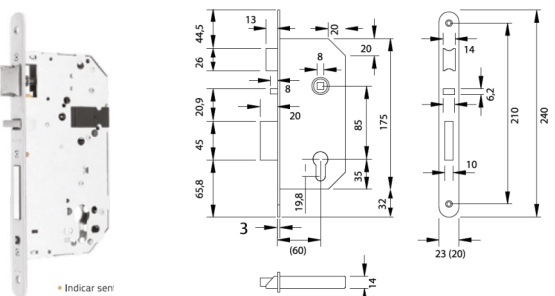
**CERTIFICATE
UNE-EN
12209:2004**



2UB4F. Seguro

Funcionamiento:
El seguro de pulgar acciona la palanca (1 vuelta). El pestillo acciona el picaporte.

SERIE 2030F - ANTIPÁNICO



2030F. Antipánico

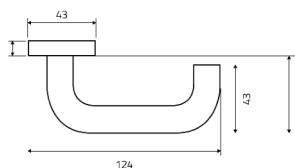
Importante indicar el sentido de apertura.

Indicar sentido de apertura

**CERTIFICATE
UNE-EN
12209:2004**

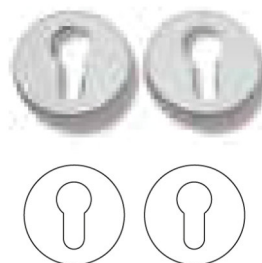
MANIJAS

MANIJA SENA ROSETA



- Acero inoxidable 304.
- Diámetro 50 mm.

- Recubrimiento antibacterial opcional.



Bocallave



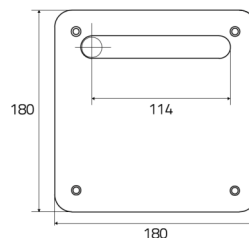
Seguro

MANIJA SENA PLACA CUADRADA

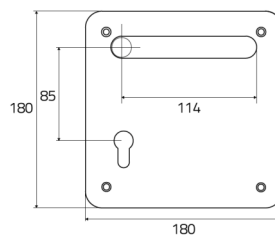
- Acero inoxidable 304 para cilindro.
- 180 x 180 mm.
- Con bocallave a 85 (cerradura 4030).
- Para cadena a 85 (cerradura 4034).
- Para puerta de paso (cerradura 4035).



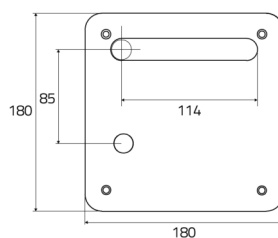
- Recubrimiento antibacterial opcional.



Ciega



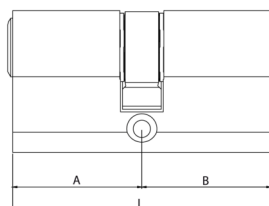
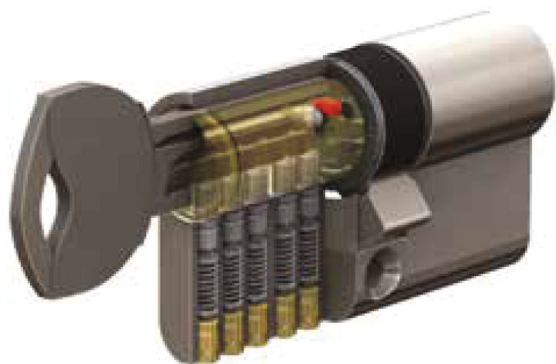
Cilindro



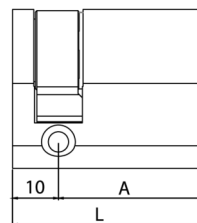
Con seguro

CILINDRO

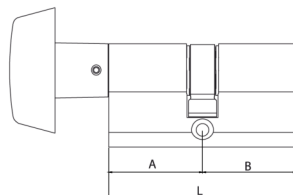
CILINDRO



Europeo doble

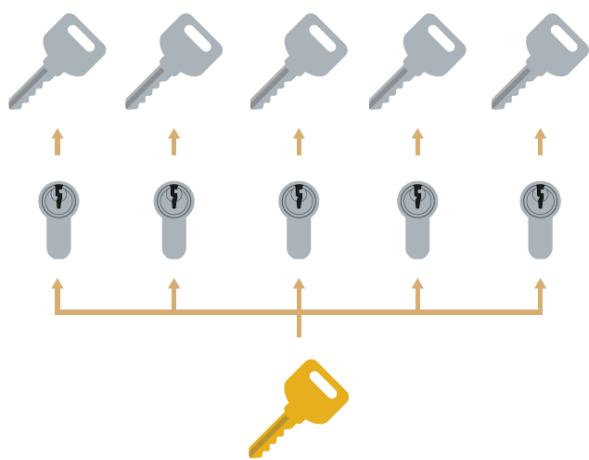


Europeo medio



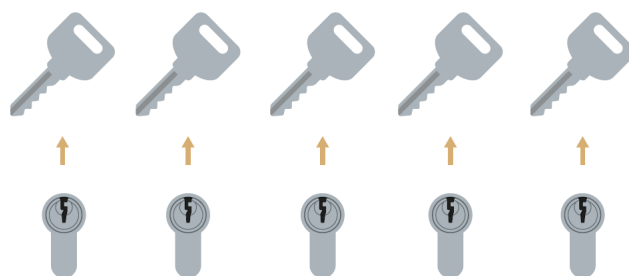
Europeo botón

Amaestramiento primer nivel



LLAVE MAESTRA

Llaves individuales o iguales

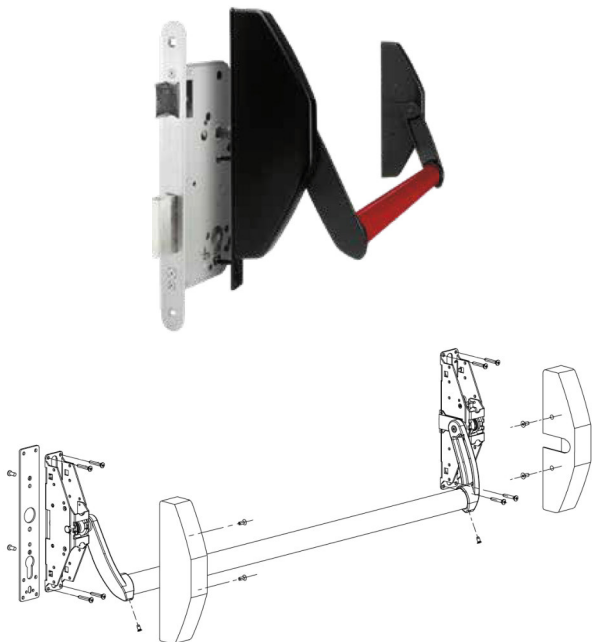


- Para otros niveles de amaestramiento, consultar.

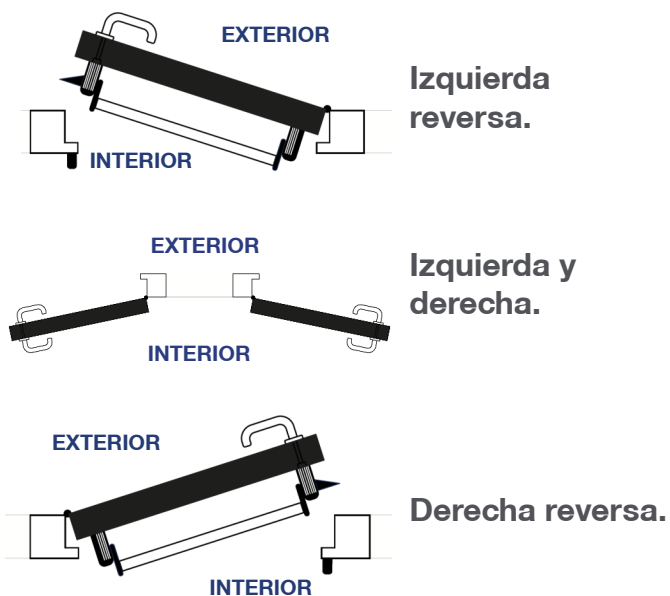
BARRAS

BARRA ANTIPÁNICO - HOJA SENCILLA O ACTIVA EN HOJA DOBLE

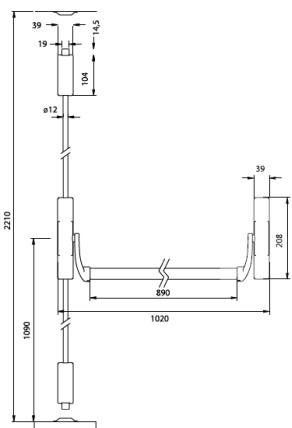
- Para cerradura de embutir modelo 4030F.



- Esta barra se coloca con cerradura modelo 4030F (Fuego) con doble pestillo y por lo tanto lleva manija como se especifica a continuación:

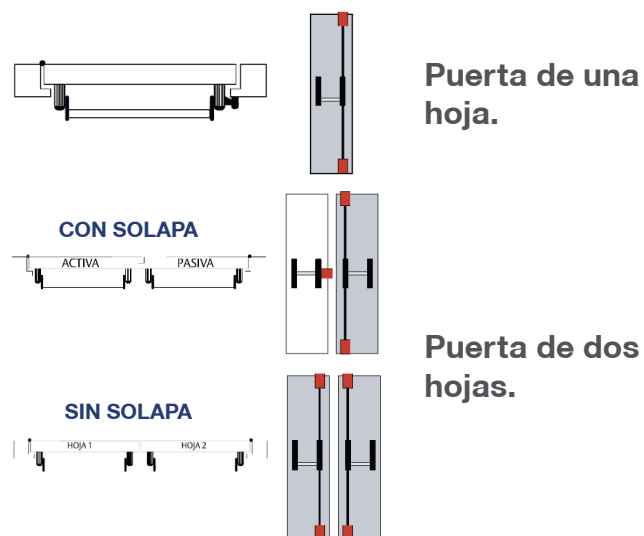


BARRA ANTIPÁNICO MODELO SOBREPONER 1930



- Dispositivo de sobreponer con dos puntos, alto y bajo, de cierre.
- Picaportes de acero, basculantes.
- Altura estándar: 2210 mm.
- Accionamiento exterior.
- Certificación EN 1125.

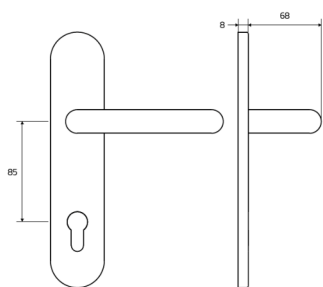
Configuración



BARRAS

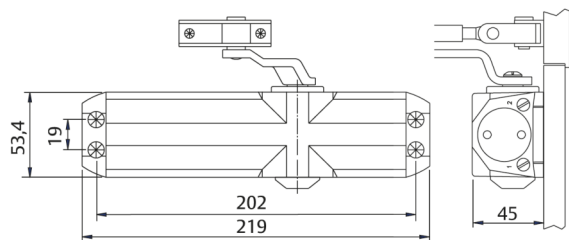
ACONDICIONAMIENTOS EXTERIORES PARA BARRAS ANTIPÁNICO

- Para modelo de embutir 4030F: Con bocallave para cilindro (con 1/2 cilindro 30x10 mm). Para puerta de paso (sin llave).

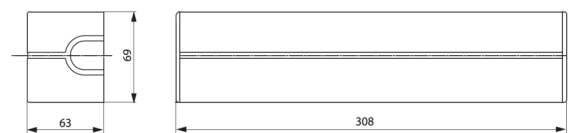


CIERRAPUERTAS

DC 120 ALTO TRÁNSITO

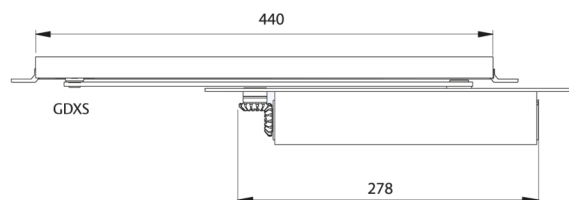


DC 340 MUY ALTO TRÁNSITO



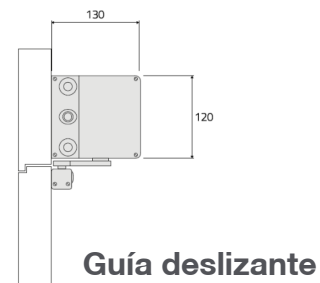
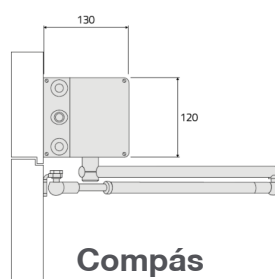
- Con opción de guía deslizante.

OCULTO

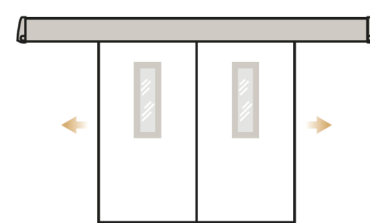
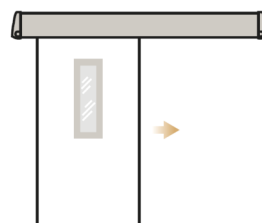
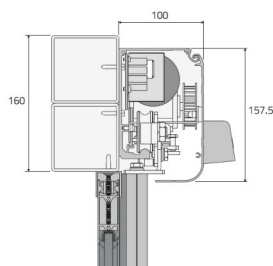


CIERRAPUERTAS AUTOMÁTICOS

ABATIBLE



CORREDERA



SISTEMAS DE APERTURA Y SEGURIDAD



**Estos sistemas pueden variar ligeramente según disponibilidad de mercado.

BISAGRAS

BISAGRA ESTANDAR

- Bisagra estándar para alojamiento Soleco 100x86x3 mm.
- Suministrado siempre como bisagra estándar en el marco Soleco.
- Normativa UNE 1935:2002
- Certificado de 200,000 aperturas.
- Fabricado en acero inoxidable.



BISAGRA GRANDES PESOS

- Bisagra clase 14-1935:2002
- Ensayo: 160 kg de peso.
- Normativa UNE 1935:2002
- Fabricado en acero inoxidable.



BISAGRA CON RESORTE

- Bisagra con muelle para sistema autocierre puerta 100x86x3 mm.
- Fabricado en acero inoxidable.



BISAGRA Y SISTEMA ANTI-PORTAZOS

- Bisagra especial para colegios y guarderías.
- Fabricado en acero inoxidable.



BISAGRA OCULTA TECTUS 340 SIMONSWERK

- Carga admisible: 80 kg
- 160x28x28 mm.
- Fresa 24 mm diámetro.
- Ángulo de apertura 180°.
- Tipo de hoja: Madera.
- Tipo de renvalso: No solapada.
- Tipo de marco: Marco de acero lacado, inoxidable, aluminio o madera.
- Fabricado en acero inoxidable.



TECTUS 311 SIMONSWERK

- Carga admisible: 60 kg
- 125x32x24/28 mm.
- Fresa 24 mm diámetro.
- Ángulo de apertura 180°.
- Tipo de hoja: Madera.
- Tipo de renvalso: No solapada.
- Tipo de marco: Marco de acero lacado, inoxidable, aluminio o madera.
- Fabricado en acero inoxidable.



BISAGRA PARA MARCO DE CRISTAL

- Sistema tradicional.
- Bisagra para marco de cristal (F-G-AL) para alojamiento Soleco y cualquier tipo de bisagra de cristal para atornillar en el galce.
- Fabricado en acero inoxidable.



BISAGRA PARA MARCO DE CRISTAL SISTEMA REGULABLE

- Bisagra para marco de cristal (F-G-AL) para alojamiento Soleco y cualquier tipo de bisagra de cristal para atornillar en el galce.
- Fabricado en acero inoxidable.



BISAGRA CON NUDO DE 20

- Bisagras con nudo de 20 y doble separador de teflón. Preparado para alojamiento regulable Soleco.
- También disponible con muelle de retorno incorporado.
- Fabricado en acero inoxidable.



BISAGRA OCULTA CON DESPLAZAMIENTO

- Bisagra oculta con desplazamiento de 12 mm.
- Especialmente indicada para cerco para panel enrasado con apertura hacia fuera.



PROTECTORES PARA CERRADURA

PROTECTOR CERRADURA SIMPLE

- Protector especial Soleco en acero inoxidable simple con hueco para alojamiento de cerradura simple y curva según sentido de apertura.



PROTECTOR CERRADURA DOBLE CON ALOJAMIENTO SIMPLE

- Protector especial Soleco en acero inoxidable doble con hueco para alojamiento de cerradura simple y curva según sentido de apertura.



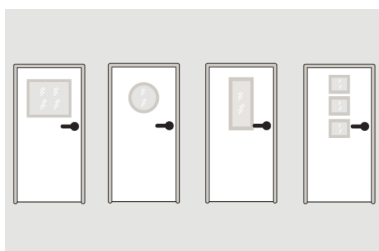
PROTECTOR CERRADURA CON DOBLE ALOJAMIENTO

- Protector especial Soleco doble con hueco para alojamiento de cerradura doble y curva según sentido de apertura.



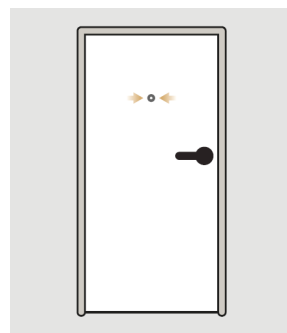
OJO DE BUEY Y VIDRIERAS

- Acero inoxidable
- Aluminio

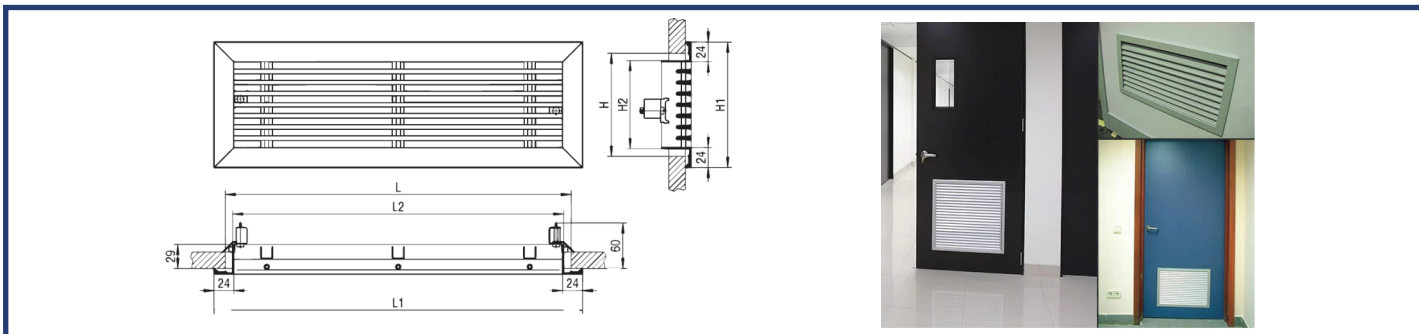


MIRILLAS RF

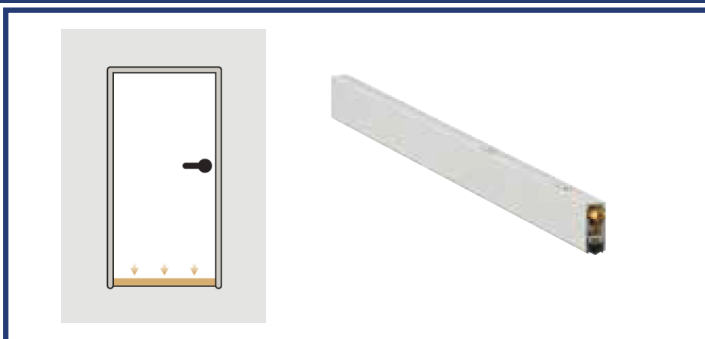
- Para puerta de entrada habitación de hotel.



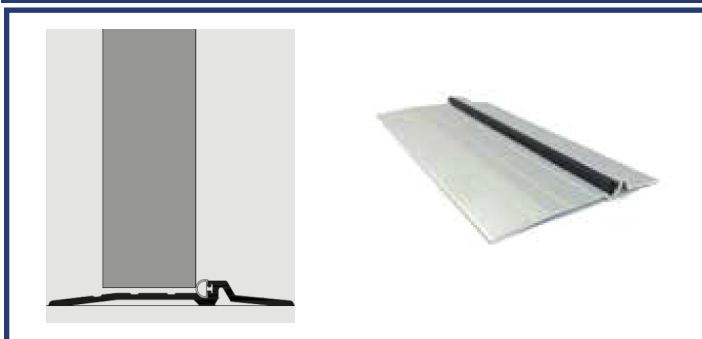
REJILLA DE VENTILACIÓN



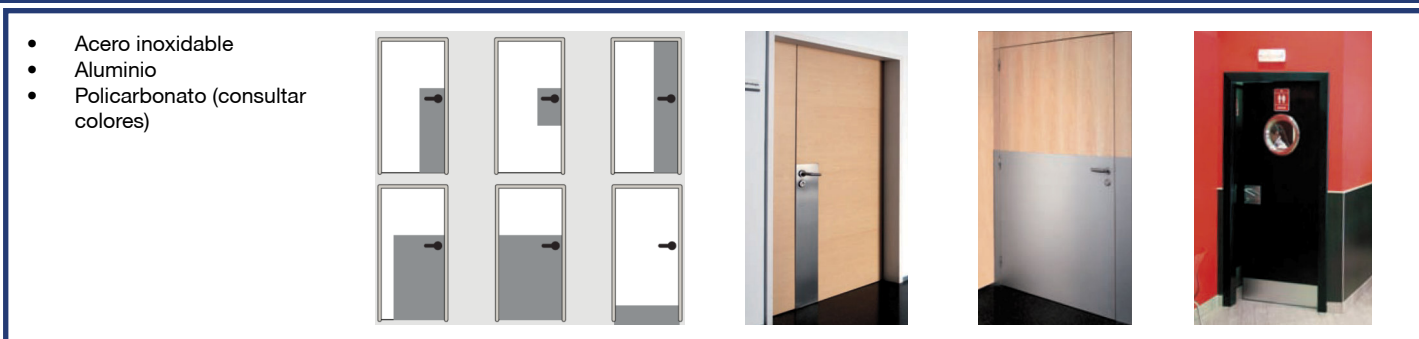
GUILLOTINA INFERIOR ACÚSTICA



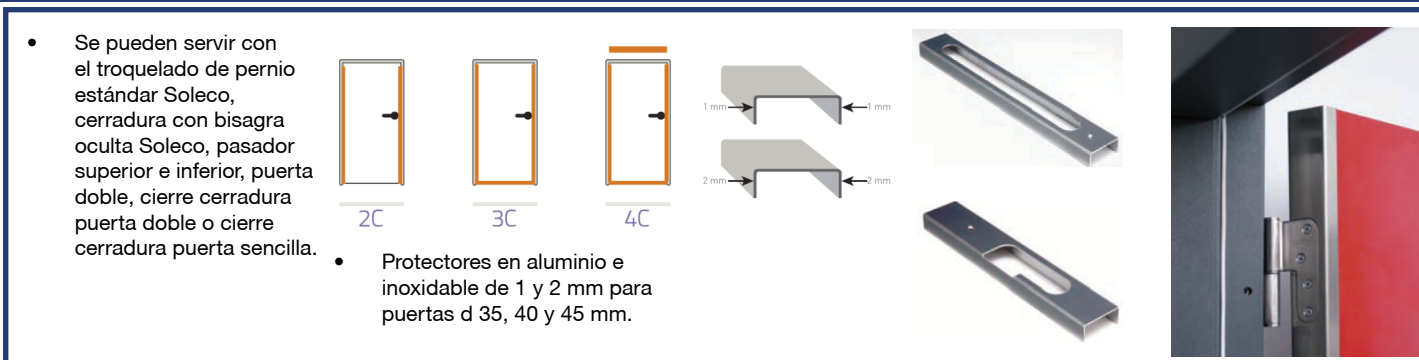
UMBRAL



PLANCHAS DE PROTECCIÓN

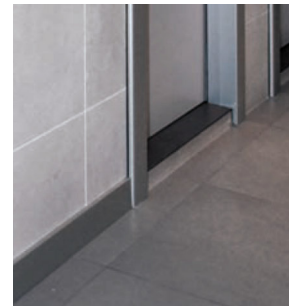
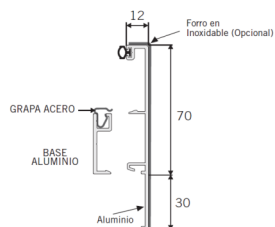


CANTO PROTECCIÓN INOXIDABLE O ALUMINIO CONTRA IMPACTO



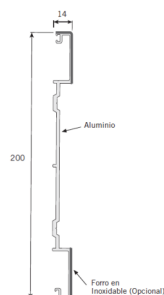
RODAPIÉS

- Rodapiés especiales Soleco a juego con el marco. Disponible en aluminio e inoxidable.
- Medidas de 100 mm con posibilidad de cortar a 70, 80 y 90 mm.



PROTECTOR DE PARED

- Acero inoxidable
- Aluminio



SISTEMA CUBREPREMARCOS

- Aluminio



REDUCTOR DE 3.5 PARA CERCO DE ALUMINIO

- Complemento para cerco de aluminio que reduce el galce para hoja de 3.5.
- Fácil montaje.
- Se fabrica en aluminio.



PROTECTORES PARED

- Disponibles en lacado RAL e inoxidable.



ANEXO DE CERTIFICACIÓN





LISTING INFORMATION OF
Soleco Traders S.L. - Fire Door Frame "Type G"- 20 Minutes
- UL 10C
SPEC ID: 56626

Soleco Traders S.L.
P.O. Box 1100, C/Marjals, 8 - Nave A
Xeraco, Valencia 46770
Spain

This report is for the exclusive use of Intertek's Client and is provided pursuant to the agreement between Intertek and its Client. Intertek's responsibility and liability are limited to the terms and conditions of the agreement. Intertek assumes no liability to any party, other than to the Client in accordance with the agreement, for any loss, expense or damage occasioned by the use of this report. Only the Client is authorized to permit copying or distribution of this report and then only in its entirety. Any use of the Intertek name or one of its marks for the sale or advertisement of the tested material, product or service must first be approved in writing by Intertek. The observations and test results in this report are relevant only to the sample tested. This report by itself does not imply that the material, product, or service is or has ever been under an Intertek certification program.

LISTING INFORMATION

PRODUCT COVERED

Soleco Traders S.L. - Fire Door Frame "Type G" - 20 Minutes - UL 10C
 CATEGORY C- Proprietary Frames

PRODUCT DESCRIPTION

1.5 mm thick galvanized steel telescopic frame for installation in dry wall or masonry wall openings with mineral wool infill.

Frame design includes a kerf for incorporation of listed gaskets.

For use with listed Category A (e.g. Listed Soleco Traders S.L. - Agglomerate Core Fire Door) or Category B fire doors

Limitations:

Configuration - Approved for Single Door Assemblies only

Maximum Size of Frame - 1105mm x 2495mm (w x h)

Minimum Jamb Depth - 180mm, Minimum wall thickness - 150mm

Minimum Face Dimension - 50mm

Minimum Stop Height - 15mm

Fire Ratings

The product noted above has been tested and qualified per UL 10C for a **20 Minutes with hose stream** Positive Pressure Fire Rating. Also meets the requirements of UL 10B/NFPA 252.

Attribute	Value
Certificate Date of Expiry	December 31, 2020
Certificate Date of Initial Registration	May 19, 2020
Certificate Number	WHI20-34468501
Criteria	UL 10(c) (2016)
Criteria	UL 10(b) (R2015)
Criteria	NFPA 252 (2017)
CSI Code	08 10 00 Doors and Frames
Fire Resistance	20 Min w/Hose Positive Pressure
Intertek Services	Certification
Listed or Inspected	LISTED
Listing Section	CATEGORY C - PROPRIETARY FRAMES
Spec ID	56626

Certificate of Compliance



This is a certificate of compliance to certify that the bearer has successfully completed the requirements of the above scheme which include the testing of products, the initial assessment, and are subject to continuing annual assessments of their compliance and testing of samples of products taken from production (as applicable to the scheme) and has been registered within the scheme for the products detailed.

You have been awarded:

Intertek WH US Mark for Category C - Proprietary Frames

Standards: UL 10(c) (2016), UL 10(b) (R2015), NFPA 252 (2017)

Certificate number: WHI20-34468501

Organization: Soleco Traders S.L.
P.O. Box 1100, C/Marjals, 8 - Nave A
Xeraco, Valencia 46770
Spain

Product: Soleco Traders S.L. - Fire Door Frame "Type G"- 20 Minutes - UL 10C
Spec ID: 56626
Fire Rating: 20 Min w/Hose Positive Pressure
Listing Information: See following page(s)

Certification body: Intertek Testing Services NA, Inc.
Initial registration: May 19, 2020
Date of expiry: December 31, 2020
Issue status: 1

Authorized By: 
Jean-Philippe Kayl, Director of Certification

Intertek Testing Services NA, Inc.
545 E. Algonquin Road, Ste H., Arlington Heights, IL 60005 USA
Phone: 847-439-5667 Fax: 847-439-7320

www.intertek.com

The certificate and schedule are held in force by regular annual surveillance visits by Intertek Testing Services NA, Inc. and the reader or user should contact Intertek to validate its status. This certificate remains the property of Intertek Testing Services NA, Inc. and must be returned to them on demand. This Certificate is for the exclusive use of Intertek's Client and is provided pursuant to the Certification agreement between Intertek and its Client. Intertek's responsibility and liability are limited to the terms and conditions of the agreement. Intertek assumes no liability to any party, other than to the Client in accordance with the agreement, for any loss, expense or damage occasioned by the use of this certificate. Only the Client is authorized to permit copying or distribution of this certificate and then only in its entirety. Use of Intertek's Certification mark is restricted to the conditions laid out in the agreement. Any further use of the Intertek name for the sale or advertisement of the tested material, product or service must first be approved in writing by Intertek. Initial Factory Assessments and Follow up Services are for the purpose of assuring appropriate usage of the Certification mark in accordance with the agreement, they are not for the purposes of production quality control and do not relieve the Client of their obligations in this respect.

LISTING INFORMATION

PRODUCT COVERED

Soleco Traders S.L. - Fire Door Frame "Type G" - 20 Minutes - UL 10C
CATEGORY C- Proprietary Frames

PRODUCT DESCRIPTION

1.5 mm thick galvanized steel telescopic frame for installation in dry wall or masonry wall openings with mineral wool infill.

Frame design includes a kerf for incorporation of listed gaskets.

For use with listed Category A (e.g. Listed Soleco Traders S.L. - Agglomerate Core Fire Door) or Category B fire doors

Limitations:

Configuration - Approved for Single Door Assemblies only

Maximum Size of Frame - 1105mm x 2495mm (w x h)

Minimum Jamb Depth - 180mm, Minimum wall thickness - 150mm

Minimum Face Dimension - 50mm

Minimum Stop Height - 15mm

Fire Ratings

The product noted above has been tested and qualified per UL 10C for a **20 Minutes with hose stream** Positive Pressure Fire Rating. Also meets the requirements of UL 10B/NFPA 252.

Certificate of Compliance



This is a certificate of compliance to certify that the bearer has successfully completed the requirements of the above scheme which include the testing of products, the initial assessment, and are subject to continuing annual assessments of their compliance and testing of samples of products taken from production (as applicable to the scheme) and has been registered within the scheme for the products detailed.

You have been awarded:

Intertek WH US Mark for Category A - Doors - No Additional Edge-sealing System Required

Standards: UL 10(c) (2016), UL 10(b) (R2015), NFPA 252 (2017)

Certificate number: WHI20-34468502

Organization: Soleco Traders S.L.
P.O. Box 1100, C/Marjals, 8 - Nave A
Xeraco, Valencia 46770
Spain

Product: Soleco Traders S.L. - Agglomerate Core Fire Door - 20 Minutes - UL 10C

Spec ID: 56628

Fire Rating: 20 Min w/Hose Positive Pressure


Listing Information: See following page(s)

Certification body: Intertek Testing Services NA, Inc.

Initial registration: May 19, 2020

Date of expiry: December 31, 2020

Issue status: 1

Authorized By: 
Jean-Philippe Kayl, Director of Certification

Intertek Testing Services NA, Inc.
545 E. Algonquin Road, Ste H., Arlington Heights, IL 60005 USA
Phone: 847-439-5667 Fax: 847-439-7320

www.intertek.com

The certificate and schedule are held in force by regular annual surveillance visits by Intertek Testing Services NA, Inc. and the reader or user should contact Intertek to validate its status. This certificate remains the property of Intertek Testing Services NA, Inc. and must be returned to them on demand. This Certificate is for the exclusive use of Intertek's Client and is provided pursuant to the Certification agreement between Intertek and its Client. Intertek's responsibility and liability are limited to the terms and conditions of the agreement. Intertek assumes no liability to any party, other than to the Client in accordance with the agreement, for any loss, expense or damage occasioned by the use of this certificate. Only the Client is authorized to permit copying or distribution of this certificate and then only in its entirety. Use of Intertek's Certification mark is restricted to the conditions laid out in the agreement. Any further use of the Intertek name for the sale or advertisement of the tested material, product or service must first be approved in writing by Intertek. Initial Factory Assessments and Follow up Services are for the purpose of assuring appropriate usage of the Certification mark in accordance with the agreement, they are not for the purposes of production quality control and do not relieve the Client of their obligations in this respect.

LISTING INFORMATION

PRODUCT COVERED

Soleco Traders S.L. - Agglomerate Core Fire Door - 20 Minutes - UL 10C
CATEGORY A - DOORS - NO ADDITIONAL EDGE-SEALING SYSTEM REQUIRED

PRODUCT DESCRIPTION

Latched Single Acting Single Leaf Fire Door (Category A) to be installed in listed Category C - Timber or Steel frames of equal or higher fire rating or Soleco Traders S.L. - galvanized steel telescopic proprietary frames (Category C)

Door - Composed of a core of agglomerate board with MDF crossbands, overall leaf thickness - 45mm

Tested components: Facing - Vinyl Veneer, Lockset - VingCard Signature RFID-Electronic Lock (Assa Abloy), Hinges - Pernio Soleco (Soleco), Door Closer - CT1800 (TESA - Assa Abloy), Door Viewer - SWLAF RF30 (Mirillas Opticas, S.L.)

Limitations:

UL10c listed and labeled mortise locksets and listed steel butt hinges for use with agglomerate core/timber based fire doors may be installed.

Minimum latch throw - 3/4" (19mm)

Single Leaf Door - Maximum leaf size - 1002mm x 2436mm (width x height)

Double doors or Double Egress Doors - Not allowed

FIRE RATINGS

The product noted above has been evaluated according to the requirements of the standard UL 10C (2016) and have qualified for the following ratings. Also meets the requirements of UL 10B/NFPA 252.

Fire Rating: 20 Minutes with hose stream rating

The door noted above is eligible to bear the "S" (for Smoke & Draft Control assemblies) if a listed "Category H - Smoke & Draft Control Gasket" has been applied to the assembly. Please refer to Category H for individual gasket manufacturer's listings.